



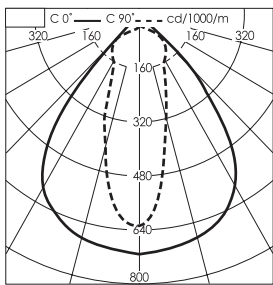
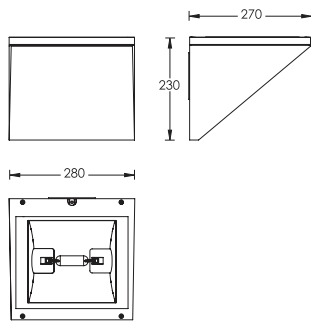
austin

APPLICATION

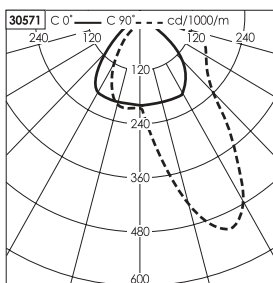
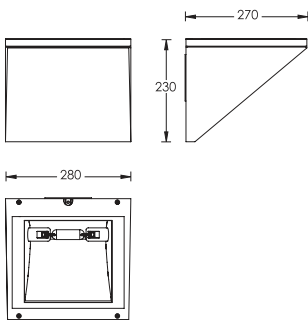
Entrances, walkways, loading docks, tunnels, under-pass, facade, columns and many other wall mounted area lighting applications.

FEATURES

Die-cast aluminium housing with high corrosion resistance. Aluminium front frame. Stainless steel screws. Durable silicone rubber gasket and toughened glass diffuser. Anodized high purity aluminium reflector choice of asymmetrical reflectors. Double cable entry. Powder paint with high corrosion resistance with chemical chromatised protection. Integral control gear.



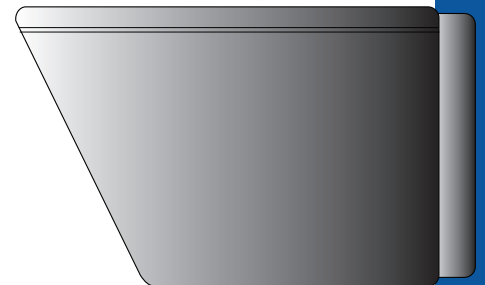
• symmetrical



• asymmetrical

CHARACTERISTICS

- Optical assembly : IP 65
- Electrical Insulation : Class 1
- Voltage : 220V~240V
- Wattage : 150W~400W
- Lamp type : M/Halide
- Dimensions (mm) : 280(L) x 230(H) x 270(W)
- Approx. Net weight : 8 kg



Description	Voltage	Frequency	Lamp
austin 150W M/H C/W Gear & Lamp	220-240V	50-60Hz	Rx7s

ordering information