



Diffuser using PC design

### cone LED

#### ADVANTAGES

- Architectural stylish appearance
- Fully aluminium
- Easy maintenance
- Choice of colour

#### APPLICATION

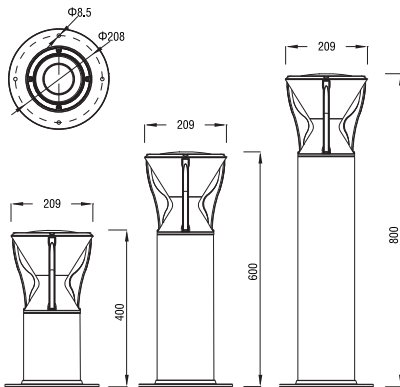
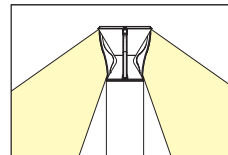
- Walkways, pedestrian path, square
- Architectural and landscape

#### FEATURES

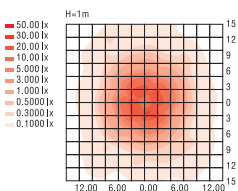
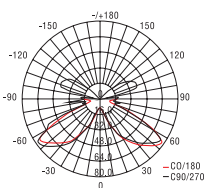
- Die cast and extruded aluminium housing with high resistant to oxidation.
- Finished with epoxy powder coating.
- Standard colour – Black. Option colour – White and Silver.
- LED driver mounted on a removable gear tray.
- UV stabilized clear diffuser.

#### CHARACTERISTICS

- Optical assembly : IP 65
- Electrical Insulation : Class 1
- Voltage : 100V/240V AC
- Wattage : 7W~10W
- Lamp Type : LED
- LED Quantity : 3pcs
- Color : Warm White / Cool White
- Life : >30000 hour
- Dimensions (mm) :  $\varnothing 209(L) \times 800(H)$   
\*height: approx 400mm or 600mm on request
- Approx. Net weight : 3~4 kg



dimension (mm)



Model No.	Description	Voltage	Frequency
GPKP14101	CONE LED 7W C/W LED driver	100-240V	50-60Hz
GPKP14102	CONE LED 10W C/W LED driver	100-240V	50-60Hz

ordering information