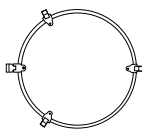
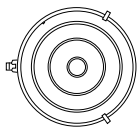
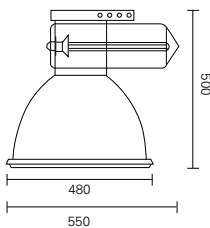




lecco IP65



dimension (mm)

ADVANTAGES

- Architectural stylish appearance
- High performance, easy maintenance
- Low profile, fully aluminium & glass

APPLICATION

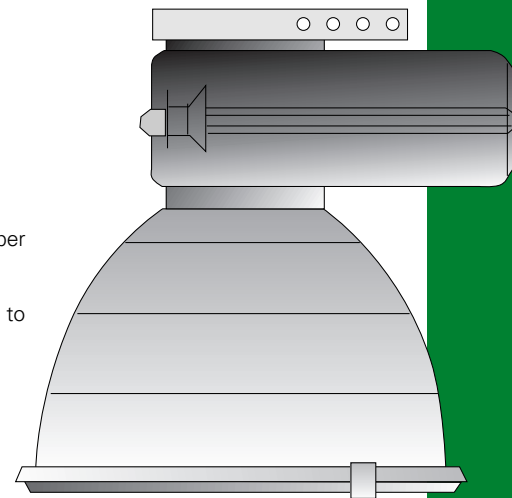
- Factories, assembly plants, warehouse, hangers
- Gymnasium, sport hall, commercial
- Suggested mounting height : 4m and above

FEATURES

- Die cast aluminium ballast housing with cooling fins.
- Finish with epoxy powder paint. Standard colour – Black.
- 99.9% purity aluminium polished and anodized reflector.
- High reflectance anodised finished on hydroformed aluminium faceted reflector.
- Thermal shock resistant tempered glass (5mm) in a silicone rubber gasket with securing clip in nickel coated steel installed on the reflector.
- Tempered glass is locked to the ballast housing by safety chain to avoid accidental fall.
- Ballast component mounted on a removable gear tray for easy maintenance. Ceramic lamp holder with silver plated contact.
- Emergency switch quartz system available (on request).

CHARACTERISTICS

- Optical Assembly : IP 65
- Ballast Compartment : IP 65
- Electrical Insulation : Class 1
- Voltage : 220V~240V 50/60 Hz
- Wattage : 150~400W
- Lamp type : HPS, M/H or MBF
- Dimensions (mm) : 550(L) x 480(W) x 500(H)
- Approx. Net weight : 9~11 kg



Model No.	Description	Voltage	Frequency	Lamp
GPL00285	GRUPPE LECCO (EMPTY) IP65	220/240V	50-60Hz	E40
GPCP0708	LECCO 250W MH C/W Control Gear & Lamp	220/240V	50-60Hz	E40
GPCP0709	LECCO 400W MH C/W Control Gear & Lamp	220/240V	50-60Hz	E40
GPCP0710	LECCO 250W MBF C/W Control Gear & Lamp	220/240V	50-60Hz	E40
GPCP0711	LECCO 400W MBF C/W Control Gear & Lamp	220/240V	50-60Hz	E40
GPCP0712	LECCO 150W HPS C/W Control Gear & Lamp	220/240V	50-60Hz	E40
GPCP0713	LUNAR 250W HPS C/W Control Gear & Lamp	220/240V	50-60Hz	E40
GPCP0714	LUNAR 400W HPS C/W Control Gear & Lamp	220/240V	50-60Hz	E40

ordering information