



# MAC 120W

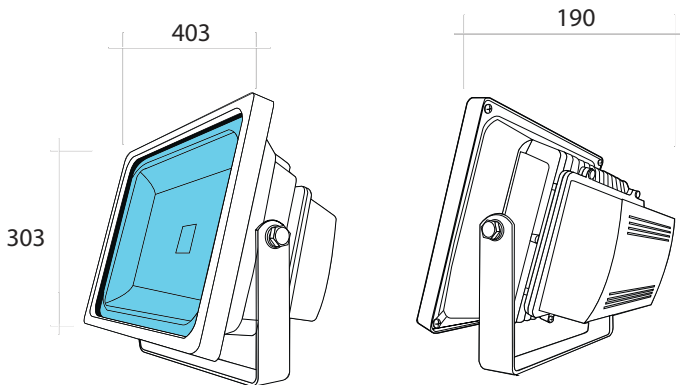
## LED FLOODLIGHT

### FEATURES

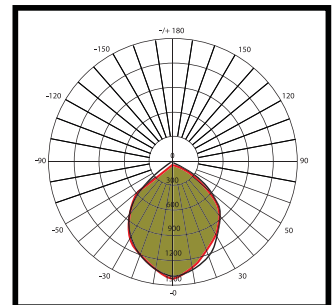
- Diecast aluminum housing.
- Corrosion - resistant powder paint finish.
- Standard colour - Black / White / Grey.
- Aluminum clear vacuum reflector.

### CHARACTERISTICS

- Input Voltage : AC90V~264V 50Hz
- LED Colour : 2700K~7000K
- Wattage : LED 2 x 60W
- Optical assembly : IP 65
- Approx. Net Weight : 8kg with gear



### PHOTOMETRIC CURVE



Model No.	Description	Voltage	Frequency	L(mm)	W(mm)	H(mm)
LECP0051	MAC FLOODLIGHT 120W 6500K (GREY)	220V ~ 240V	50Hz	403	190	303