



ZETA II

LED FLOODLIGHT

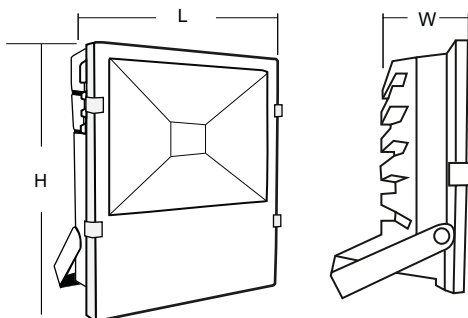
FEATURES

- Die-cast aluminum material
- Tempered glass
- Ultra thin corrugated heat sink with light weight and good heat dissipation
- Adjustable frame
- CE ROHs approved

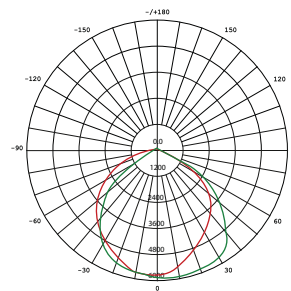
CHARACTERISTICS

- Wattage : 10W-100W
 - Input Voltage : AC 100V ~ 240V 50Hz/60Hz
 - Light Efficiency : 90 Lm/W
 - Power Factor : >0.9 ~ >0.95
 - Color Temperature : 2700K / 4500K / 6000K
 - LED Chip : Epistar
 - LED Driver : Sosen
 - IP Rating : IP65
 - Warranty : 2 Years
- (Extended Warranty is available upon request)

Dimension (mm)



PHOTOMETRIC CURVE



Model	Description	Length(mm)	Width(mm)	Height(mm)
LECP0188	ZETA/II LED FLOODLIGHT 10W	128	51	156
LECP0189	ZETA/II LED FLOODLIGHT 20W	128	51	156
LECP0190	ZETA/II LED FLOODLIGHT 30W	195	65	220
LECP0191	ZETA/II LED FLOODLIGHT 50W	225	65	270
LECP0192	ZETA/II LED FLOODLIGHT 100W	275	85	360