



ZED

LED LINEAR

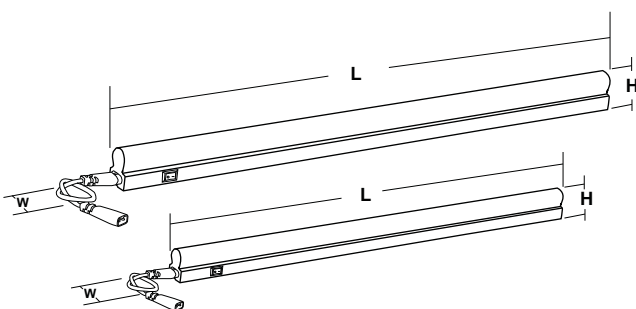
FEATURES

- Housing / Body : integrated polycarbonate body, with beautiful shape, convenient for connection with plugs or wires. Impact corrosion resistance.
- LED Chip : Using 2835 chip, low power, high luminous efficiency, low light decline, good color rendering performance.
- Environment : Low carbon, energy saving, environmental protection, mercury-free
- Safety : Plastic in Class II for safety & installation.

CHARACTERISTICS

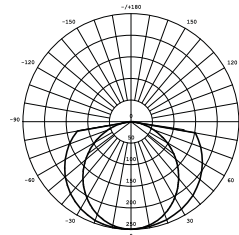
- Wattage : 9W / 12W / 16W
- Input Voltage : AC 220~240V 50/60Hz
- Light Efficiency : 90~100 Lm/W
- Power Factor : >0.9
- Color Temperature : 3000K / 4000K / 6500K
- IP Rating : IP20
- Warranty : Extended Warranty is available upon request

DIMENSION (mm)

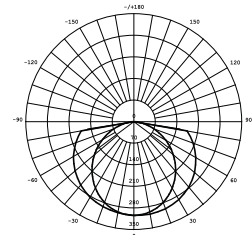


PHOTOMETRIC CURVE

9W



12W



Model No.	Description	Length(mm)	Width(mm)	Height(mm)
ZED00003	ZED T5 LED 9W 6500K	573	28	36
ZED00006	ZED T5 LED 12W 6500K	873	28	36
ZED00009	ZED T5 LED 16W 6500K	1173	28	36