



AVENUE T5 (IP65)

WEATHERPROOF

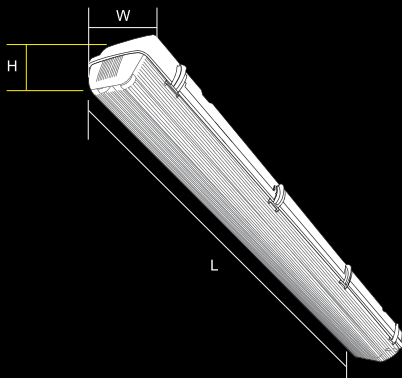
The AVENUE series is designed with careful selection of the best materials and components to assure perfect operation under the most extreme conditions. The diffuser is hinged to the body; with the options of plastic or stainless steel clip-on toggles; for easy maintenance and lamp replacement. Its pleasant appearance also reduce direct glare and yet provide an excellent light distribution for visual comfort.

APPLICATION

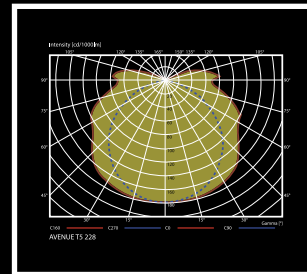
Ideal for harsh, humid & dusty environment such as parking areas, canopy areas, loading bays, industrial areas, production areas, factory, workshops, etc., where sufficient illumination and safety with a low glare is required.

CHARACTERISTICS

- Index of Protection : IP65
- Body : Made of injection mould acrylic or polycarbonate
- Diffuser : Made of injection mould acrylic or polycarbonate
- Wattage : T5 14W/24W, 28W/54W, 35W/49W
- Voltage : 220V ~ 240V / 50 ~ 60Hz
- Power Factor : 0.9
- Wire : Heat resistant 105°C
- Ballast : Vacuum-impregnated with polyester resin
- Condenser : Metallized polypropylene film
- Lamp and starter holder : Made of injection mould polycarbonate
- Optional Components :
 - High frequency electronic ballast
 - Emergency power pack
 - 2A fuse socket connector
 - Radio interference suppressor



PHOTOMETRIC CURVE



Model No.	Description	L(mm)	W(mm)	H(mm)
AVCP0080	AVENUE T5 w/proof fluo. ftg. 1x14W C/W Gear & Lamp	610	60	74
AVCP0082	AVENUE T5 w/proof fluo. ftg. 2x14W C/W Gear & Lamp	610	100	74
AVCP0013	AVENUE T5 w/proof fluo. ftg. 1x28W C/W Gear & Lamp	1210	60	74
AVCP0014	AVENUE T5 w/proof fluo. ftg. 2x28W C/W Gear & Lamp	1210	100	74
AVCP0015	AVENUE T5 w/proof fluo. ftg. 1x54W C/W Gear & Lamp	1510	60	74
AVCP0016	AVENUE T5 w/proof fluo. ftg. 2x54W C/W Gear & Lamp	1510	100	74