



Royal

The brighter and safer marine grade industrial lighting...

- ThermalSafe®
- GlareSafe®
- TightSafe®
- Smart Intelligent System *touch*
- Future Proof
- Anti Drop System

The Royal Flood Lighting luminaires are powered by the Gruppe Crystal OpticLED™ platform, and featuring innovative thermal management design, offers exceptional performance and value. With the special beam profile and uniform photometric distribution, this LED lighting series achieves high optical efficiency with state-of-the-art technology to boost up overall system efficiency. It is perfectly suitable for outdoor flood lighting applications. With proprietary patented thermal management design to ensure low LED junction temperature, while maintaining the extremely light weight, this LED lighting series has become the unique product available in the professional outdoor lighting market

Using state-of-the-art technology, Royal luminaires have been designed to fulfil the FutureProof concept. The photometric engine is IP 66 sealed to protect the LEDs and lenses from coming into contact with the outside environment and so maintain photometric performance over time.

Option : Remote Control System & Smart Intelligent System available upon request



Nema socket ready



Energy Saving with remote control system



Network for smart intelligent system

Application

Highmast, security, port, crane, wharf, apron, yacht, Large yard area, Corrosive environment.

Features

- High pressure die cast aluminium alloy housing.
- Highly corrosion resistant (optional - marine grade). Finished with polyester powder paint.
- Standard colour grey.
- Bracket made of stainless steel.
- Anti-aging silicone rubber gasket.
- Clear tempered glass cover.
- Stainless steel screws.
- Operating temperature (Ta) -25°C ~ 50°C.
- Anti-vibration available upon request.

Characteristic

Light source	: High Power LED
Optical	: PC lens modules Multiple beams Anti glare reflector
Power correction factor	: ≥ 0.9
Insulation	: Class 1
Compliance	: IEC 60598-1, IEC 60598-2-5 : IEC 62722
Ingress Protection (IP)	: IP66
Protection against surge (SPD)	: 10KA ~ 20KA
Colour rendering (CRI)	: ≥ 70
Colour temperature (CCT)	: 3000K ~ 6000K
Other CCT & CRI available upon request	
Weight	: 8kg ~ Remote gear 16kg ~ Integral gear

Robust, Slim Sleek design



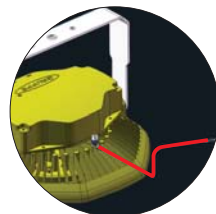
GlareSafe® Multiple lens



ThermalSafe® Thermal system



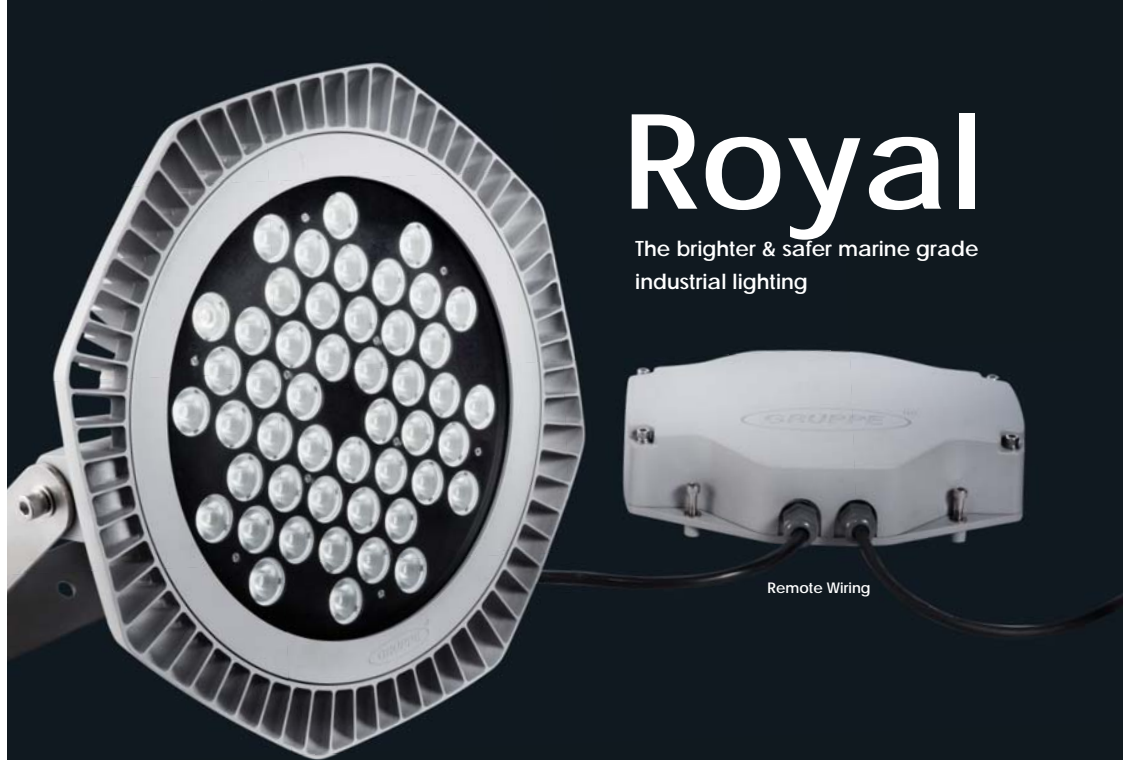
Anti Drop System





Specification

Type	Royal series
Light source	Integral LED-module
Wattage	200W ~ 300W
Nominal efficacy	120 ~ 135 lm/W
Color temperature (CCT)	3000K ~ 6000K
Color rendering Index (CRI)	≥ 70. Other CRI available upon request (≥ 80, ≥ 90)
Useful life	50,000 hours ~ Base on the light source
Operating temperature range (Ta)	-25°C ~ 50°C
Driver	Built-in electronic system
Main voltage	100~277V / 50~60Hz
Options	Dimming system Anti vibration system
Optical lens photometry	T1, T2A, T3A, T4A, T3, T4, T2S, T60 * Refer to the Lens application page
Material	Housing : high pressure die-cast aluminium alloy Protector : Clear tempered flat glass Finishing : Polyester powder paint
Color	Grey Other RAL colors available on request
Maintenance	Easy access from the back. Replacement of the electronic system by removing the back cover
Installation	Recommended mounting height : 10m, 20m & 30m



Royal

The brighter & safer marine grade industrial lighting



Remote Wiring



Back Opening



Easy Maintenance



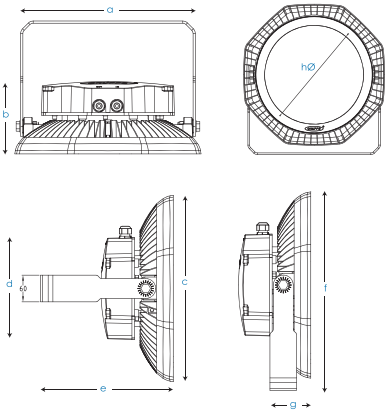
Integral Control Gear

Ordering Code Dimensions

Code	Wattage	Leds	Nominal Flux	a	b	c	d	e	f	g	h
ROY15050	150W	30	20250	394	163	420	230	300	448	92	295
ROY20050	200W	36	27000	394	163	420	230	300	448	92	295
ROY24050	240W	48	32400	394	163	420	230	300	448	92	295
ROY30050	300W	48	40500	394	163	420	230	300	448	92	295

* The above ordering code is base on CCT~5000K

Dimensions (mm)



Photometry ~ 200W

