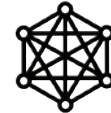




Product Tested



Microwave / Motion Sensor
Available upon request



ROYAL

LED FLOODLIGHT

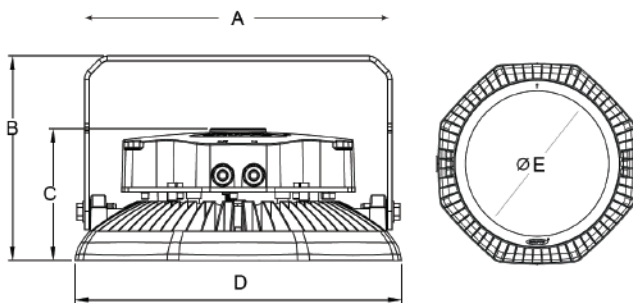
FEATURES

- High pressure die-cast aluminum alloy housing
- Corrosion resistant
- Finished with polyester powder paint
- Standard colour grey
- Bracket made of galvanized steel painted in grey colour
- Anti-aging silicone rubber gasket
- Clear tempered glass cover
- Stainless steel screws
- Operating temperature (Ta) - 25°C~ 40°C
- Future Proof
- NEMA ready

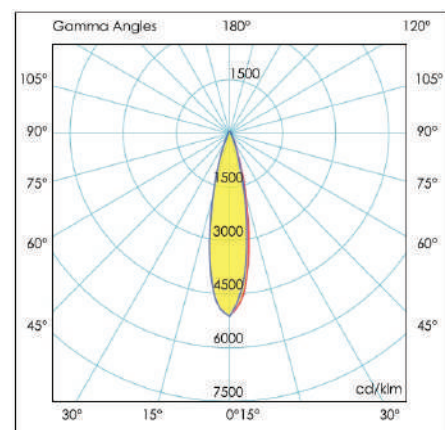
CHARACTERISTICS

- Wattage : 150W ~ 300W
- Input Voltage : 90V~260V 50Hz/60Hz
- Light Efficacy : ≥ 130 Lm/W
- Power Factor : > 0.90
- Color Rendering Index (CRI) : ≥ 70
- Color Temperature CCT : 3000K ~ 6000K
- Light Source : LED @ 50,000hrs
- LED Driver : Meanwell
- IP Rating : IP66
- IK Rating : IK09

DIMENSION (mm)



PHOTOMETRIC CURVE



Model No.	Description	A(mm)	B(mm)	C(mm)	D(mm)	E(mm)
ROY10030	ROYAL LED Floodlight 100W	333	245	146	345	230
ROY15030	ROYAL LED Floodlight 150W	333	245	146	345	230
ROY20030	ROYAL LED Floodlight 200W	398	260	167	420	295
ROY24030	ROYAL LED Floodlight 240W	398	260	167	420	295
ROY30030	ROYAL LED Floodlight 300W	398	260	167	420	295