



Product Tested

Microwave / Motion Sensor
Available upon request

UNIVERSAL

LED FLOODLIGHT

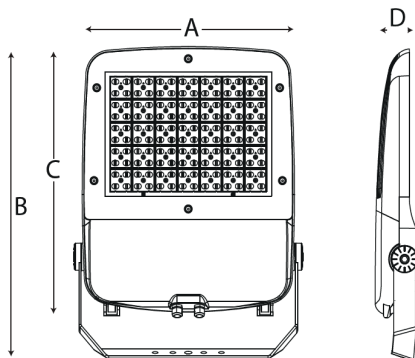
FEATURES

- High pressure die-cast aluminum alloy housing
- Finished with polyester powder paint & Corrosion resistant
- Standard colour grey
- Anti-aging silicone rubber gasket
- Clear tempered glass cover
- Stainless steel screws
- Operating temperature - 25°C ~ 50°C
- Available in Symmetrical & Asymmetrical Beam
- Microwave / Motion Sensor available upon request

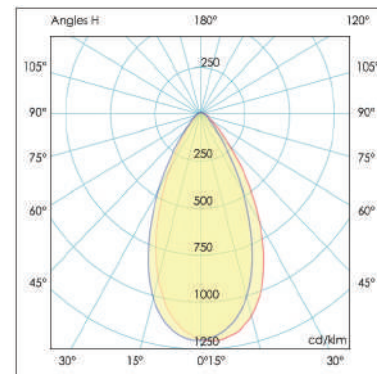
CHARACTERISTICS

- Wattage : 100W ~ 480W
- Input Voltage : AC100~277V 50/60Hz
- Light Efficacy : ≥ 130 Lm/W
- Power Factor : > 0.90
- Color Rendering Index (CRI) : ≥ 70
- Color Temperature CCT : 3000K ~ 6000K
- Light Source : LED @ 50,000hrs
- Power Source : Meanwell / Inventronic
- IP Rating : IP66
- IK Rating : IK09

DIMENSION (mm)



PHOTOMETRIC CURVE



Model No.	Description	A(mm)	B(mm)	C(mm)	D(mm)
UNI10050	UNIVERSAL LED Floodlight 100W	282	390	356	73
UNI12050	UNIVERSAL LED Floodlight 120W	386	488	416	81
UNI15050	UNIVERSAL LED Floodlight 150W	386	488	416	81
UNI20050	UNIVERSAL LED Floodlight 200W	386	488	416	81
UNI24050	UNIVERSAL LED Floodlight 240W	461	594	508	94
UNI30050	UNIVERSAL LED Floodlight 300W	461	594	508	94
UNI40050	UNIVERSAL LED Floodlight 400W	519	681	588	108
UNI48050	UNIVERSAL LED Floodlight 480W	519	681	588	108