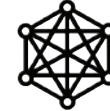




Microwave / Motion Sensor  
Available upon request



# VETO-IP

## WEATHERPROOF LED DOWNLIGHT

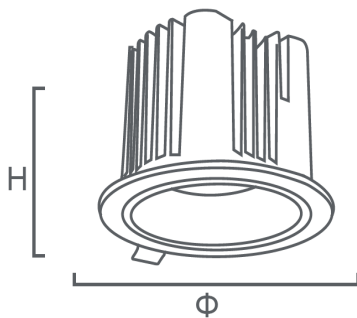
### FEATURES

- Die-cast aluminum radiator with higher heat dissipation efficiency.
- Honeycomb Mesh, effectively prevent excess astigmatism.
- Deep reflector cup, providing anti-glare performance
- The Shell color is white + black gray by default
- Operating Temperature -15°C ~ +45°C
- Available in multi CCT
- Dimming Function & Microwave / Motion Sensor available upon request

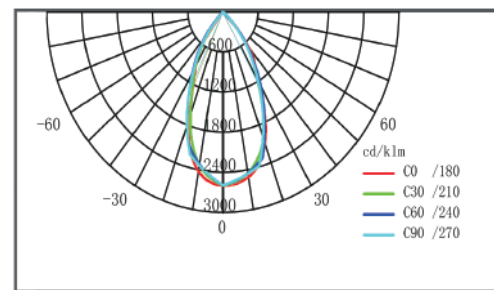
### CHARACTERISTICS

- Wattage : 15W / 25W / 40W
- Input Voltage : AC220~240 50/60Hz
- Light Efficacy :  $\geq 100$  lm/W
- Power Factor :  $> 0.9$
- Color Rendering Index (CRI) :  $> 80$
- UGR :  $< 16$
- Color Temperature CCT : 3000K/4000K/5000K
- Beam Angle : 15°/24°/38°/45°/60°
- Light Source : LED @ 50,000hrs
- Power Source : Remote Constant Current Driver
- IP Rating : IP65

### DIMENSION (mm)



### PHOTOMETRIC CURVE



Model No.	Description	Diameter(mm)	Height(mm)	Cut out(mm)
VETIP1540	VETO-IP 15W Weatherproof LED Downlight 4000K	Ø115	78	Ø80
VETIP2540	VETO-IP 25W Weatherproof LED Downlight 4000K	Ø123	92.5	Ø110
VETIP4040	VETO-IP 40W Weatherproof LED Downlight 4000K	Ø145	106	Ø130