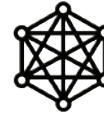




Microwave / Motion Sensor
Available upon request



VETO-PRO/R

DEEP ANTI-GLARE LED DOWNLIGHT

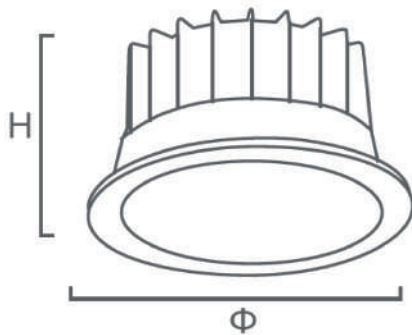
FEATURES

- Die-cast aluminum housing
- Finished with powder coated
- Anti-glare opal polycarbonate diffuser
- Stainless steel locking devices
- Operating Temperature -15°C ~ +45°C
- Available in multi CCT
- Dimming Function & Microwave / Motion Sensor available upon request

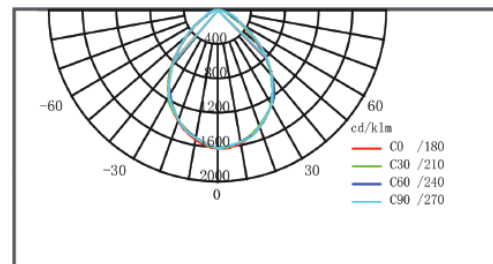
CHARACTERISTICS

- Wattage : 10W ~ 50W
- Input Voltage : AC220~240 50/60Hz
- Light Efficacy : ≥100 lm/W
- Power Factor : >0.9
- Color Rendering Index (CRI) : >80
- UGR : <16
- Color Temperature CCT : 3000K/4000K/5000K
- Beam Angle : 60°
- Light Source : LED @ 50,000hrs
- Power Source : Remote Constant Current Driver
- IP Rating : IP20

DIMENSION (mm)



PHOTOMETRIC CURVE



Model No.	Description	Diameter(mm)	Height(mm)	Cut out(mm)
VETPR1040	VETO-PRO/R 10W LED Recessed Downlight 4000K	Ø115	65	Ø100
VETPR2040	VETO-PRO/R 20W LED Recessed Downlight 4000K	Ø140	80	Ø125
VETPR3040	VETO-PRO/R 30W LED Recessed Downlight 4000K	Ø160	85	Ø145
VETPR4040	VETO-PRO/R 40W LED Recessed Downlight 4000K	Ø198	98	Ø175
VETPR5040	VETO-PRO/R 50W LED Recessed Downlight 4000K	Ø230	102	Ø215