



VETO-R

LED ROUND DOWNLIGHT

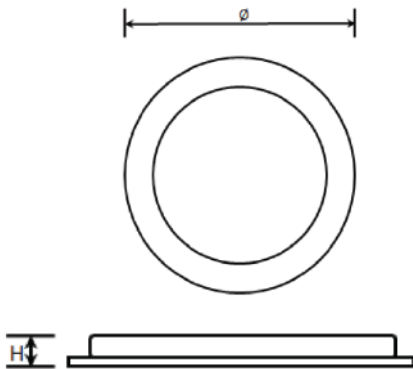
FEATURES

- Easy recess installation.
- Anti glare frosted diffuser.
- 50% more efficient than CFL Downlights.
- Ideal for commercial usage with minimum maintenance.
- Selectable CCT
- Sensor Compatible
- On/off sensor available upon request

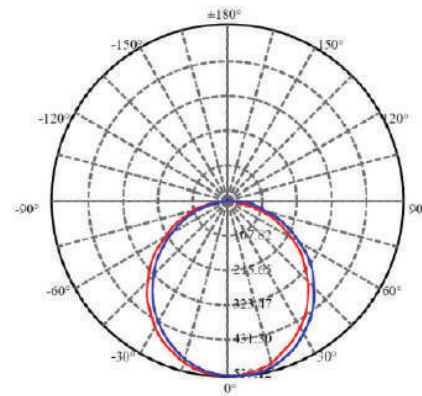
CHARACTERISTICS

- Wattage : 9W ~ 24W
- Input Voltage : 170-240VAC 50/60Hz
- Light Efficacy : ≥ 100 Lm/W
- Power Factor : 0.5
- Color Rendering Index (CRI) : > 80
- Beam Angle : 120°
- Selectable CCT : 3000K / 4000K / 6000K
- Light Source : LED @ 50,000hrs
- Power Source : DOB (Driver On Board)
- IP Rating : IP20

DIMENSION (mm)



PHOTOMETRIC CURVE



Model No.	Description	Diameter(mm)	Height(mm)	Cutout Size(mm)
VETR09CCT	VETO-R LED Round Downlight 9W	Ø120	26	100-115
VETR12CCT	VETO-R LED Round Downlight 12W	Ø145	26	120-140
VETR18CCT	VETO-R LED Round Downlight 18W	Ø170	26	150-165
VETR24CCT	VETO-R LED Round Downlight 24W	Ø225	26	205-220