

# ZENITH PRISM

## RECESSED T-BAR DIFFUSED FITTING HINGED FRAME

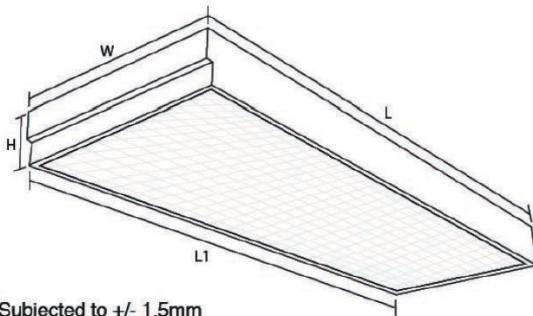
### FEATURES

- Body : Made of heavy gauge sheet steel
- Paintwork : Fully coated with a high gloss white epoxy polyester powder, giving resilient finish
- Diffuser : Options for opal or prismatic type
- Color Temperature : 3000K ~ 6000K
- Lamp : LED Tube
- Power factor : 0.9
- IP Rating : IP20

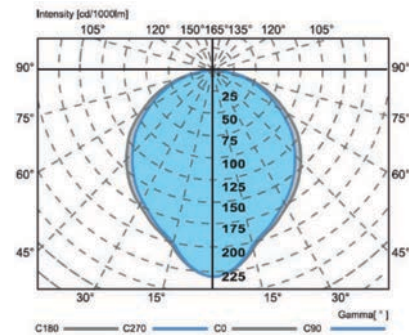
Optional Components - Emergency power pack / Bottom-Top Opener / Gasket-Hinged Frame

\*T5 LED available upon request.

### DIMENSION (mm)



### PHOTOMETRIC CURVE



Model No.	No. of lamp	L(mm)	L1(mm)	W(mm)	H(mm)
ZNSR0067	LED 8W x 2	612	595	595	90
ZNSR0068	LED 8W x 3	612	595	595	90
ZNSR0069	LED 8W x 4	612	595	595	90
ZNSR0073 (1x4)	LED 16Wx2	1222	1195	295	90
ZNSR0070	LED 16Wx2	1222	1195	595	90
ZNSR0071	LED 16Wx3	1222	1195	595	90
ZNSR0072	LED 16Wx4	1222	1195	595	90

METRIC SIZE

ZNSR0067	LED 8W x 2	612	600	600	90
ZNSR0068	LED 8W x 3	612	600	600	90
ZNSR0069	LED 8W x 4	612	600	600	90
ZNSR0073 (1x4)	LED 16Wx2	1222	1210	302	90
ZNSR0070	LED 16Wx2	1222	1210	600	90
ZNSR0071	LED 16Wx3	1222	1210	600	90
ZNSR0072	LED 16Wx4	1222	1210	600	90

IMPERIAL SIZE