



ARRO VIA STREETLIGHT

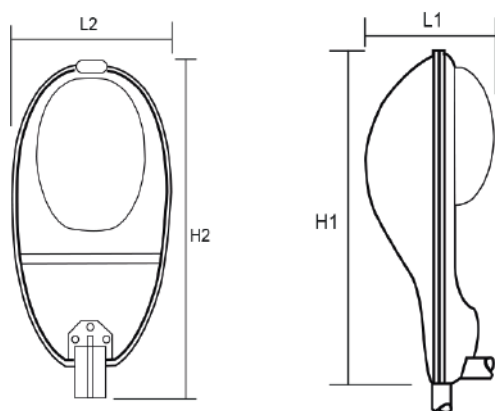
FEATURES

- Architectural stylish appearance
- Fully aluminum and glass
- High performance, easy maintenance
- Enclosed luminaires for pole mounting.
- Die-cast aluminum housing
- Glass protection (Diffuser)
- Ballast components mounted on a removable gear tray.
- Easy access to ballast compartment and lamp by opening the top housing.
- Lamp replacement without tools.

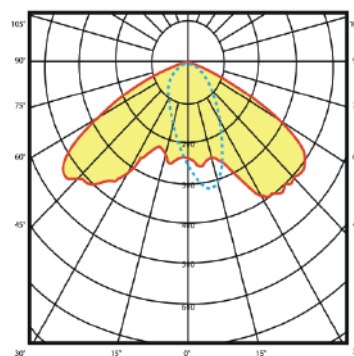
CHARACTERISTICS

- Wattage : 70W - 400W
- Input Voltage : AC 220~240V 50/60Hz
- Power Factor : > 0.9
- Light Efficacy : 90 Lm/W
- Color Temperature : 3000K~6000K
- IP Rating : IP65

DIMENSION (mm)



PHOTOMETRIC CURVE



ARRO VIA 250W HPS (CLEAR)

Model No.	Description	H1	H2	L1	L2	Ø
ACPV011	ARRO VIA 70W HPS C/W Control Gear and Lamp	465	530	130	212	54
ACPV012	ARRO VIA 100W HPS C/W Control Gear and Lamp	565	630	158	270	54
ACPV013	ARRO VIA 150W HPS C/W Control Gear and Lamp	565	630	158	270	54
ACPV014	ARRO VIA 250W HPS C/W Control Gear and Lamp	655	745	215	290	64
ACPV015	ARRO VIA 400W HPS C/W Control Gear and Lamp	790	870	250	350	64