



IOTA

FLOODLIGHT

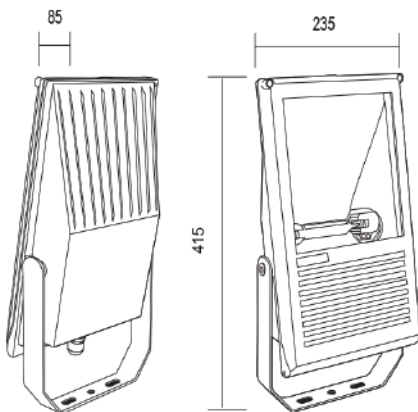
FEATURES

- Die cast aluminum housing.
- Corrosion - resistant powder paint finish.
- Standard colour - Black / White / Grey.
- Integral control gear.
- Anodised aluminum reflector.
- Weatherproof and durable silicon rubber gasket.
- Thermal shock resistant tempered glass.
- Stainless steel screw.
- Ceramic lamp holder : Rx7s or E27

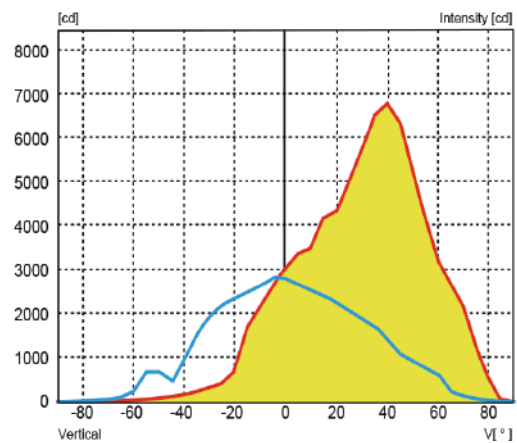
CHARACTERISTICS

- Wattage : 70W ~ 150W
- Input Voltage : AC 220~240V 50/60Hz
- Lamp Type : HPS / MH / MBF
- Electrical Insulation : Class 1
- Color Temperature : 3000K~6500K
- IP Rating : IP65

DIMENSION (mm)



PHOTOMETRIC CURVE



Model No.	Description	Lamp and Gear	Voltage	Frequency	Lamp
GPCP0862	IOTA WHITE	70W M/H C/W Control Gear & Lamp	220-240V	50-60Hz	Rx7s
GPCP0885	IOTA BLACK	70W M/H C/W Control Gear & Lamp	220-240V	50-60Hz	Rx7s
GPCP0864	IOTA WHITE	150W M/H C/W Control Gear & Lamp	220-240V	50-60Hz	Rx7s
GPCP0863	IOTA BLACK	70W M/H C/W Control Gear & Lamp	220-240V	50-60Hz	Rx7s