



REGAL 400

FLOODLIGHT

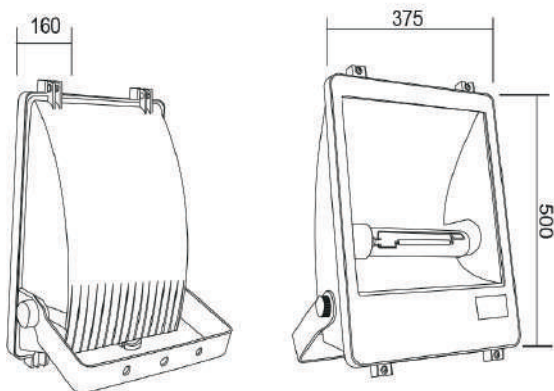
FEATURES

- Die cast aluminium housing.
- Finished with epoxy powder paint, resistant to corrosion.
- Standard colour – Black.
- Integral control gear. Ballast mounted on the removable gear tray
- Thermal, shock resistant tempered glass in a hinged die cast aluminum frame. Stainless steel screw.
- Weatherproof and durable silicon rubber sealing gasket.
- Beam spread for asymmetrical and narrow beam light distribution.
- Ceramic lamp holder and silver plated contact
- Standard E27 / Rx7s.

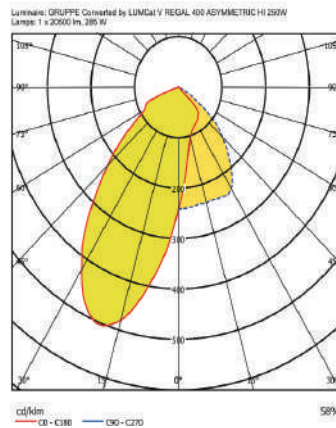
CHARACTERISTICS

- Wattage : 150W ~ 400W
- Input Voltage : AC 220~240V 50/60Hz
- Lamp Type : HPS / MH / MBF
- Electrical Insulation : Class 1
- Color Temperature : 3000K~6500K
- IP Rating : IP65

DIMENSION (mm)



PHOTOMETRIC CURVE



Model No.	Description	Voltage	Frequency	Lamp
GPCP0310	REGAL 150 150W HPS C/W Control Gear & Lamp	220-240V	50-60Hz	E40
GPCP0311	REGAL 400 250W HPS C/W Control Gear & Lamp	220-240V	50-60Hz	E40
GPCP0312	REGAL 400 400W HPS C/W Control Gear & Lamp	220-240V	50-60Hz	E40
GPCP0313	REGAL 400 250W M/H C/W Control Gear & Lamp	220-240V	50-60Hz	E40
GPCP0314	REGAL 400 400W M/H C/W Control Gear & Lamp	220-240V	50-60Hz	E40