

REGENT II

FLOODLIGHT

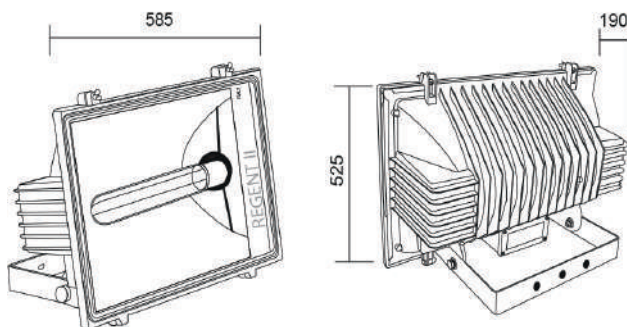
FEATURES

- Die cast aluminum housing with cooling fins
- Epoxy powder paint finish.
- Standard colour – Black.
- Resistant to corrosive environment.
- High reflectance ; anodised and polished aluminum reflector.
- Weatherproof and durable silicon rubber gasket.
- Thermal shock resistant tempered glass in a hinged die cast aluminum frame. Stainless steel screw.
- Ceramic lamp holder and silver plated contact - Standard E-40

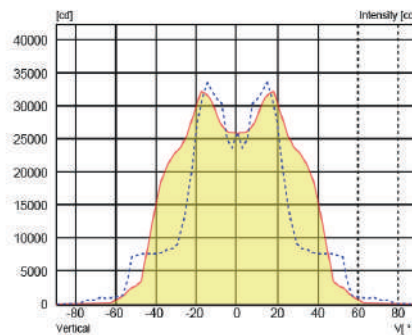
CHARACTERISTICS

- Wattage : 1000W
- Input Voltage : AC 220~240V 50/60Hz
- Lamp Type : HPS / MH / MBF
- Electrical Insulation : Class 1
- Color Temperature : 3000K~6500K
- IP Rating : IP65

DIMENSION (mm)



PHOTOMETRIC CURVE



Model No.	Description	Voltage	Frequency	Lamp
RGT00006	REGENT 2 Floodlight 1000W (E)	220-240V	50-60Hz	E40
RCP00008	REGENT 2 Floodlight 1000W MH C/W Control Gear & Lamp	220-240V	50-60Hz	E40
RCP00010	REGENT 2 Floodlight 1000W HPS C/W Control Gear & Lamp	220-240V	50-60Hz	E40