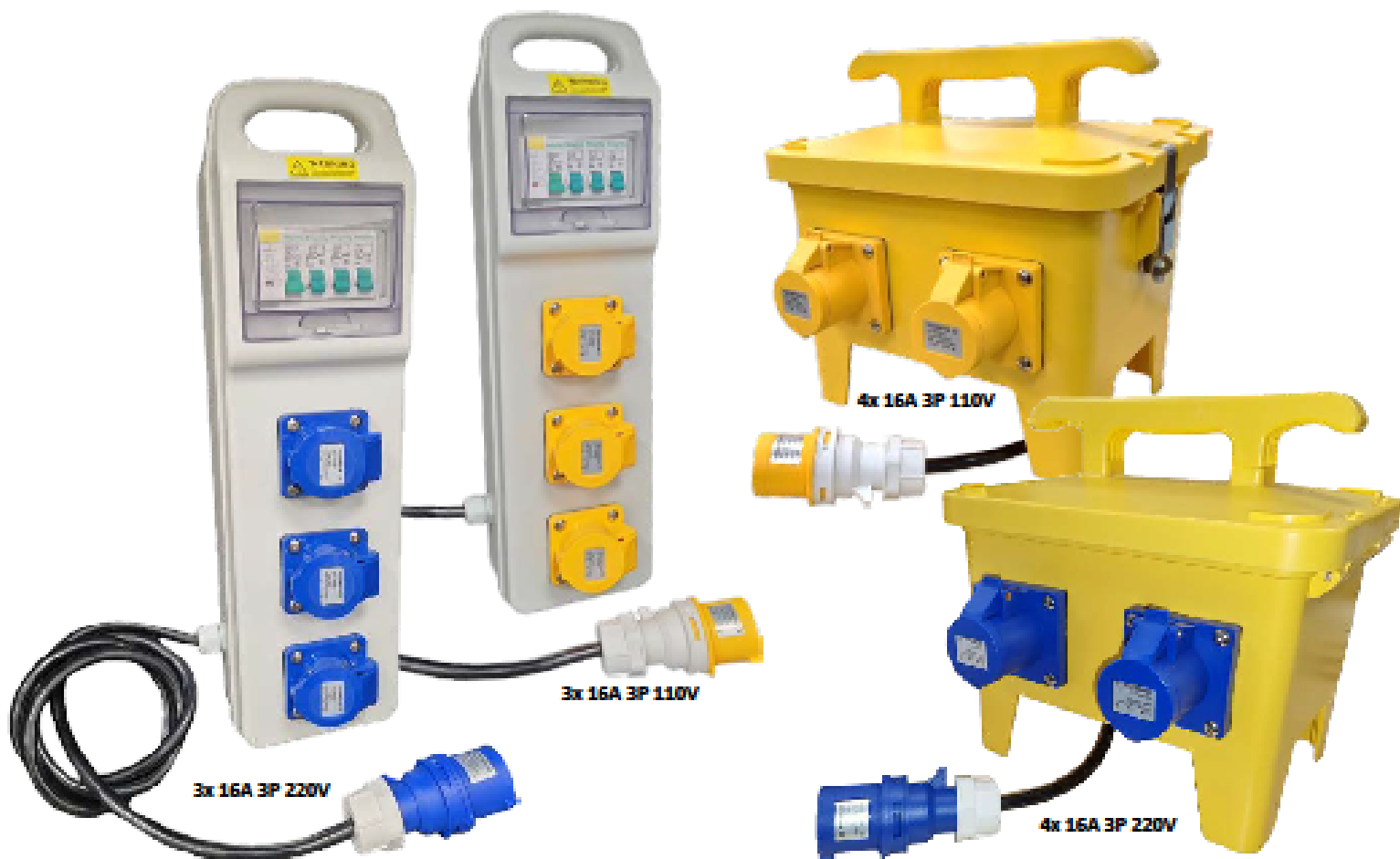


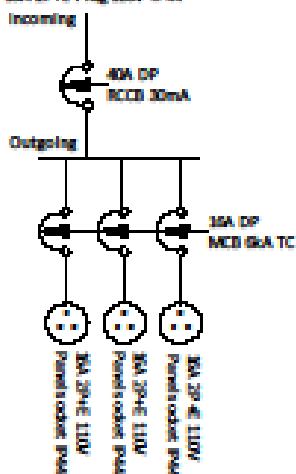
TECHNOVA

PORTABLE SOCKET OUTLET ASSEMBLY



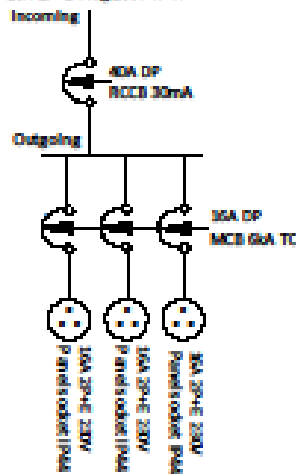
3 Outlets 16A 2P+E 110V (TECP00150A)

Neoprene Cable 3C 2.5mm /
16A 2P+E Plug 110V IP44



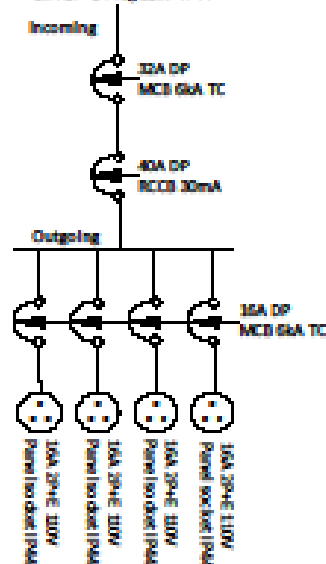
3 Outlets 16A 2P+E 220V (TECP00250A)

Neoprene Cable 3C 2.5mm /
16A 2P+E Plug 220V IP44



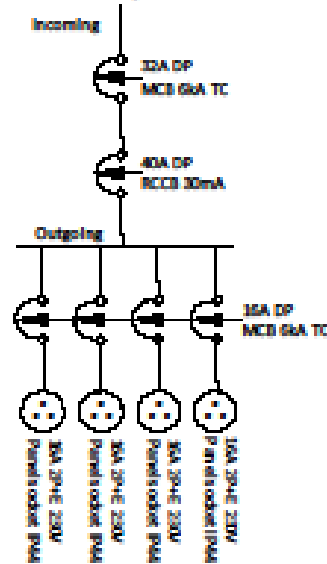
4 Outlets 16A 2P+E 110V (TECP0350A)

Neoprene Cable 3C 2.5mm /
16A 2P+E Plug 110V IP44



4 Outlets 16A 2P+E 220V (TECP0450A)

Neoprene Cable 3C 2.5mm /
16A 2P+E Plug 220V IP44

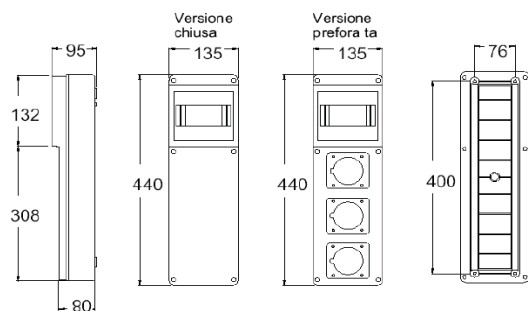


Component Verification Standards: IEC 529

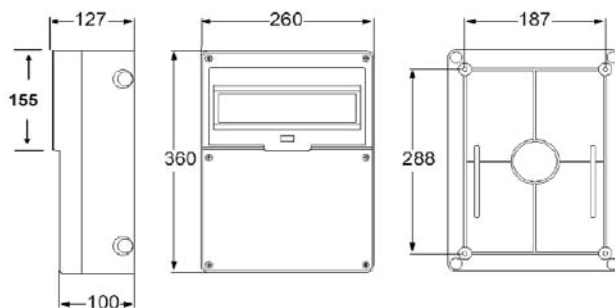
EN 60529
IEC 61008-1
IEC 61009-1
EN 60309-1:1999+A2:2013



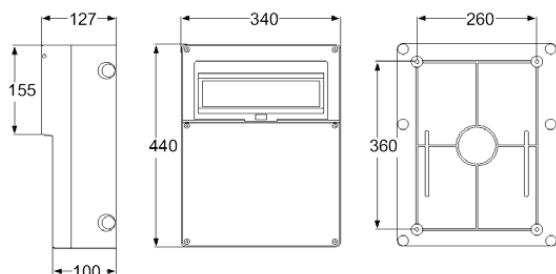
TECHNOVA SOA DB BOX C/W SINGLE OR THREE PHASE & ACCESSORIES , CABLE , PLUG IP65



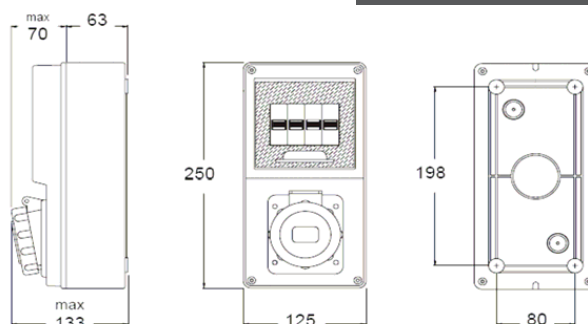
EE 960.30032



EE 960.10012



EE 960.10022



EE 6.8201

Coperchio preforato

Open top

Couvercle perforé

codice code	Dimensioni dimensions	no. prese sockets no.	Ampere	Moduli modules	Quantita di cartone Carton Quantity
EE 960.30032	440 x 135	3	16A	6	10
EE 960.10012	360 x 260	4	16A	12	8
EE 960.10022	440 x 340	6	16A	14	5
EE 6.8201	250 x 125	1	16/32A	6	24