



# ALFA G2 SMART

## LED STREET LIGHT

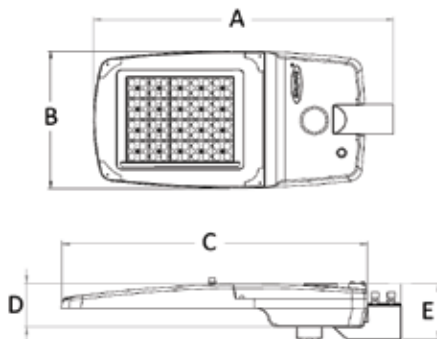
### FEATURES

- High pressure die-cast aluminum alloy housing
- Finished with polyester powder paint & corrosion resistant
- Polycarbonate optic lens provide high visual comfort and uniform light distribution
- Top opening for easy maintenance
- Clear tempered glass protector
- Standard colour grey
- With Zhaga Smart Sensor / Dimming 0-10V with wireless remote control technology (SLP)

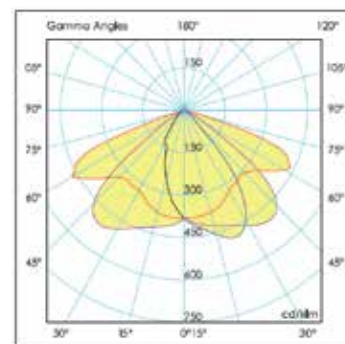
### CHARACTERISTICS

- Wattage : 30W~200W
- Input Voltage : 100-277V 50/60Hz
- Light Efficacy : 120~135 Lm/W
- Power Factor : >0.9
- Color Rendering Index (CRI) : ≥70
- Color Temperature CCT : 3000K~6000K
- Light Source : LED @ 50,000hrs
- Power Source : Dimming LED Driver 0-10V / Dali
- Operating temperature : - 25°C ~ +40°C
- IP Rating : IP66
- IK Rating : IK08

### DIMENSION (mm)



### PHOTOMETRIC CURVE



Model No.	Description	A(mm)	B(mm)	C(mm)	D(mm)	E(mm)
AFG03030/S	ALFA G2 Smart LED Street Light 30W	500	210	430	92	114
AFG06030/S	ALFA G2 Smart LED Street Light 60W	500	210	430	92	114
AFG09030/S	ALFA G2 Smart LED Street Light 90W	570	240	500	93	116
AFG12030/S	ALFA G2 Smart LED Street Light 120W	570	240	500	93	116
AFG15030/S	ALFA G2 Smart LED Street Light 150W	720	330	648	92	118
AFG18030/S	ALFA G2 Smart LED Street Light 180W	720	330	648	92	118
AFG20030/S	ALFA G2 Smart LED Street Light 200W	720	330	648	92	118

\*\* The above ordering code is base on CCT~3000K