



# ALFA G2

## LED STREET LIGHT

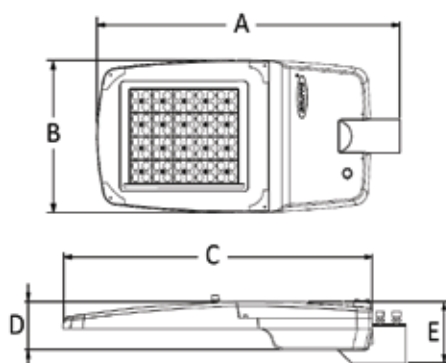
### FEATURES

- High pressure die-cast aluminum alloy housing
- Finished with polyester powder paint & corrosion resistant
- Polycarbonate optic lens provide high visual comfort and uniform light distribution
- Top opening for easy maintenance
- Clear tempered glass protector
- Standard colour grey

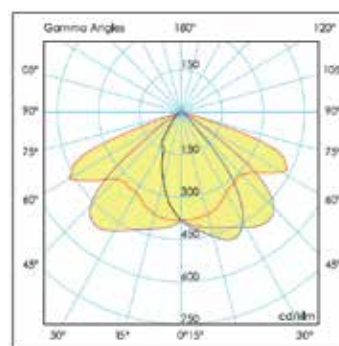
### CHARACTERISTICS

- Wattage : 30W~200W
- Input Voltage : 100V-277V 50/60Hz
- Light Efficacy : 120~135 Lm/W
- Power Factor : >0.9
- Color Rendering Index (CRI) : ≥70
- Color Temperature CCT : 3000K~6000K
- Light Source : LED @ 50,000hrs
- Power Source : Constant Current LED Driver
- Operating temperature : - 25°C ~ +40°C
- IP Rating : IP66
- IK Rating : IK08

### DIMENSION (mm)



### PHOTOMETRIC CURVE



Model No.	Description	A(mm)	B(mm)	C(mm)	D(mm)	E(mm)
AFG03030	ALFA G2 LED Street Light 30W	500	210	430	92	114
AFG06030	ALFA G2 LED Street Light 60W	500	210	430	92	114
AFG09030	ALFA G2 LED Street Light 90W	570	240	500	93	116
AFG12030	ALFA G2 LED Street Light 120W	570	240	500	93	116
AFG15030	ALFA G2 LED Street Light 150W	720	330	648	92	118
AFG18030	ALFA G2 LED Street Light 180W	720	330	648	92	118
AFG20030	ALFA G2 LED Street Light 200W	720	330	648	92	118

\*\* The above ordering code is base on CCT~3000K