

# TECHNOVA INDUSTRIAL SWITCH SOCKET

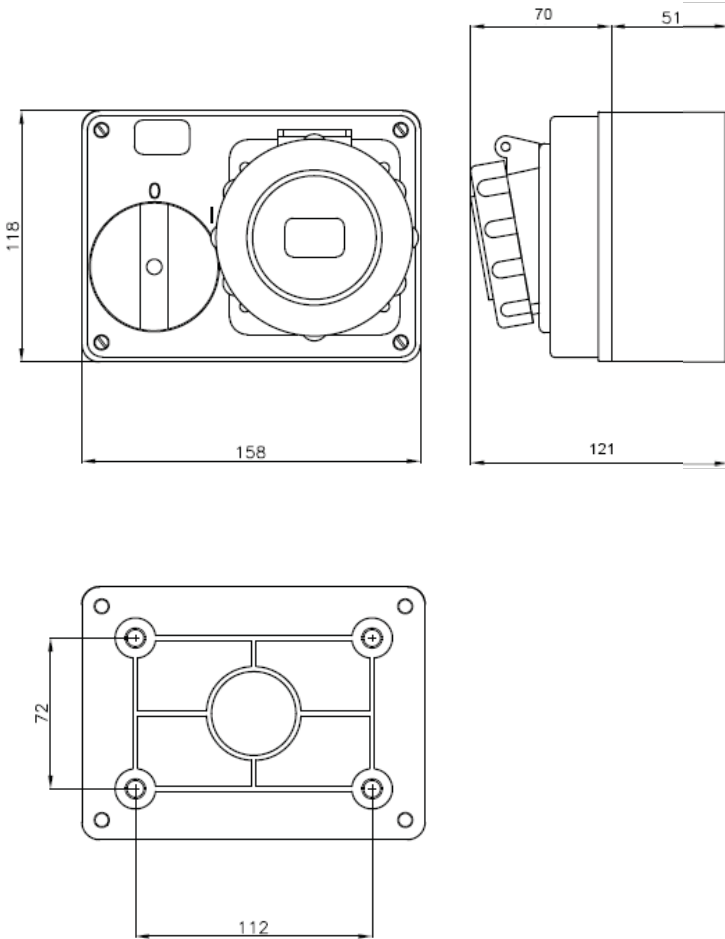


ASC and assembled enclosures, construction site assemblies and distribution turrets for both harbours and campings. Given the strength, they are suitable for both surface mounting and portable use in industry, laboratories, tertiary, farms etc.  
Thermoresistant polymers.  
High resistance to chemicals and weatherings.  
Electric shock protected.  
Zinc-plated screws (inox upon request) or polyamide depending on the model.  
Industrial use special versions (with personalized holes and colours) are available upon request.

## FEATURES

- In compliance with EN 60309-1 and 2 standards
- Enclosure, insert and spring lid in insulating, thermoplastic, self extinguishing material
- RAL 7035 grey enclosure, spring lid colour coded according to the operating voltage
- Types (IP44) spring lid entry with threaded grommet (replaceable with a cable gland)
- Types (IP67) spring lid with locking ring and gasket, entry with cable gland
- Cable anchorage with retained screws
- 63A, 125A: with pilot contact
- Nickel-plated contacts, on request for 16A and 32A (standard on 63A and 125A)
- Degree of protection IP44 and IP67(EN 60529)
-  with Italian Quality mark

# TECHNOVA INDUSTRIAL SWITCH SOCKET

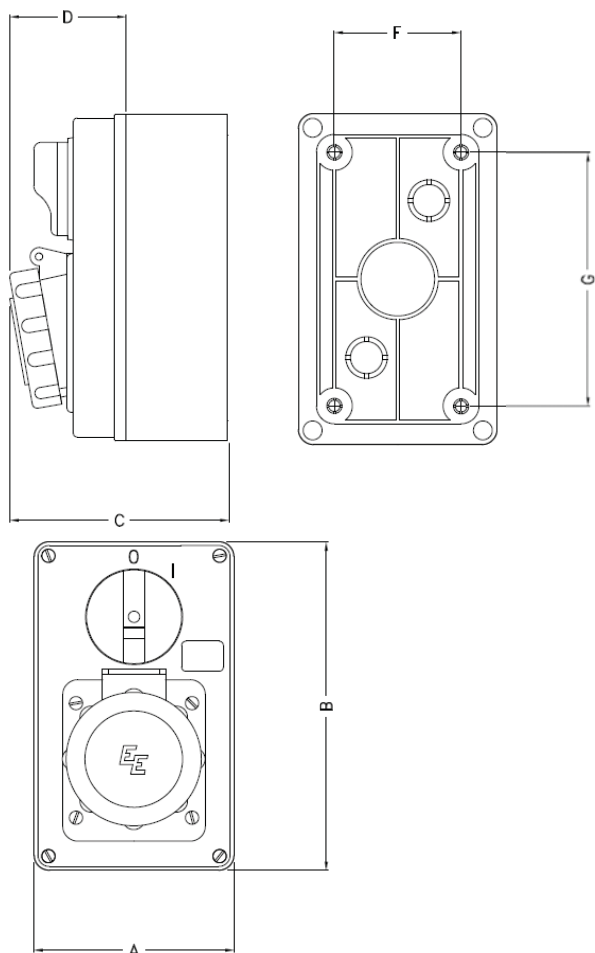


e

- Marlanvil produces a wide range of interlocked switch socket outlets both vertical, horizontal, surface and flush mounting, IP55 protected and complying with CEI- EN 60309/1/2 standards.
- The particular design features of interlocked outlets allow the realization of totally safe plants; preventing plug connection and disconnection while under power. They also allow use in especially dangerous environments.
- For this purpose, Marlanvil designed and manufactured MICROBLOCK range which, thanks to its extremely reduced size, is suitable for all work environments, both industrial and domestic.

No. of Poles	Frequency Hz	Voltage V	Earth contact position	Ampere A	Part No IP 55	Colour
2P + E	50 and 60	100 – 130	4hr	16A	EE 6.6313.4	Yellow
2P + E	50 and 60	200 – 250	6hr	16A	EE 6.6313.6	Blue
3P + E	50 and 60	380 – 415	6hr	16A	EE 6.6314.6	Red
3P + N + E	50 and 60	380 – 415	6hr	16A	EE 6.6315.6	Red
2P + E	50 and 60	200 – 250	6hr	32A	EE 6.6323.6	Blue
3P + E	50 and 60	380 – 415	6hr	32A	EE 6.6324.6	Red
3P + N + E	50 and 60	380 – 415	6hr	32A	EE 6.6325.6	Red

# TECHNOVA INDUSTRIAL SWITCH SOCKET



## Marlanvil Switched Interlocked Socket

- Marlanvil produces a wide range of interlocked switch socket outlets both vertical, horizontal, surface and flush mounting, IP55 protected and complying with CEI- EN 60309/1/2 standards.
- The particular design features of interlocked outlets allow the realization of totally safe plants; preventing plug connection and disconnection while under power. They also allow use in especially dangerous environments.
- For this purpose, Marlanvil designed and manufactured MICROBLOCK range which, thanks to its extremely reduced size, is suitable for all work environments, both industrial and domestic.

	TIPO	A	B	C	D	E	F	G	H
16A	2P+T	105	175	123	68	55	67	131	210
	3P+T	105	175	125	70	55	67	131	210
	3P+N+T	105	175	126	71	55	67	131	210
32A	2P+T	105	175	131	76	55	67	131	210
	3P+T	105	175	131	75	55	67	131	210
	3P+N+T	-	-	130	75	-	-	-	-

No. of Poles	Frequency Hz	Voltage V	Earth contact position	Ampere A	Part No IP 55	Colour
2P + E	50 and 60	100 – 130	4hr	16A	EE 6.7313.4	Yellow
2P + E	50 and 60	200 – 250	6hr	16A	EE 6.7313.6	Blue
3P + E	50 and 60	380 – 415	6hr	16A	EE 6.7314.6	Red
3P + N + E	50 and 60	380 – 415	6hr	16A	EE 6.7315.6	Red
2P + E	50 and 60	200 – 250	6hr	32A	EE 6.7323.6	Blue
3P + E	50 and 60	380 – 415	6hr	32A	EE 6.7324.6	Red
3P + E	50 and 60	440	3hr	32A	EE 6.7324.3	Red
3P + N + E	50 and 60	380 – 415	6hr	32A	EE 6.7325.6	Red

# TECHNOVA INDUSTRIAL SWITCH SOCKET

Amp.	Poles	pack. unit	110V~	230V~	400V~	500V~
			50/60Hz 4h	50/60Hz 3p=6h 4p+5p=9h	50/60Hz 3p=9h 4p+5p=6h	50/60Hz 7h
			Cat.No.	Cat.No.	Cat.No.	Cat.No.
63	3	1	75332-4	75332-6	75332-9	75332-7
63	4	1	75342-4	75342-9	75342-6	75342-7
63	5	1	75352-4	75352-9	75352-6	75352-7

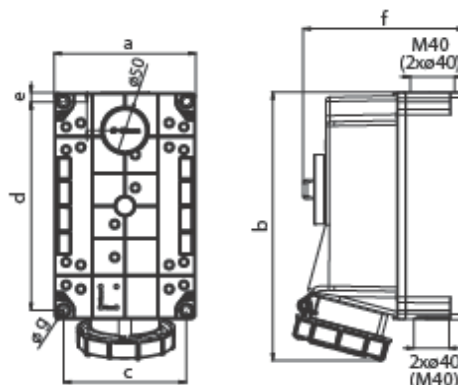


## Switched interlocked socket – wall mounting

Poles	63 Amp		
	3	4	5
a	162	162	162
b	310	310	310
c	140	140	140
d	240	240	240
e	11	11	11
f	184	184	184
g	9	9	9

Connection type:		Screw terminal
Wire flexible [mm <sup>2</sup> ]		6-25
solid [mm <sup>2</sup> ]		6-35
Weight [g]	2049	2032
		2179



### Technical data 63A:

- 63A 3-, 4- and 5 poles
- terminals max. 25/35mm<sup>2</sup>
- multiple cable entry options
- degree of protection IP66/67
- circuit breaker PCE Merz ML2-063
  - category AC22A, 690V (AC3, 690V, 3~, 22kW)
  - rated conditional short-circuit-current 10kA
  - mechanical life of 30.000 cycles
- approved acc. to EN60309, ÖVE

### Advantages:

- housing material: high shock-resistant PC/ABS
- stable design for wall mounting
- suitable for in- and outdoor installations
- mechanical interlock:
  - after plugging and switching-on plug is locked
  - after switching-off and unplugging switch is locked
- generously sized connecting area
- ready wired for connection
- at switch-off position: lockable by padlock 40mm
- external screws made of stainless steel
- with screw terminals
- housing material: PC/ABS
- contacts: brass with lamellar contact CuBe
- mechanical interlock
  - top, bottom or rear entry
  - housing can be rotated by 180°
- incl. threaded bung

IP66/67 watertight

