



# OLIO SMART

## LED WALL LIGHT

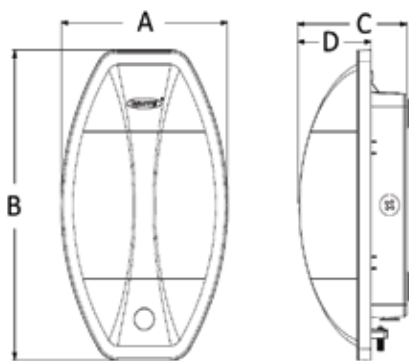
### FEATURES

- Die-cast aluminium back plate / gear box
- Finished with epoxy polyester paint
- High impact resistant polycarbonate (PC) diffuser
- Diameter 20mm cable entry via rear or side conduit entry
- Built-in Smart Sensor for 0-10V Dimming with wireless remote control technology (SLP)
- Available in black or white colour

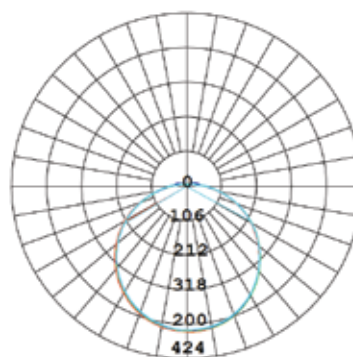
### CHARACTERISTICS

- Wattage : 7W/15W
- Input Voltage : AC 220V 50/60Hz
- Light Efficacy : 120 Lm/W
- Power Factor : 0.95
- Color Temperature CCT : 3000K~5000K
- Light Source : LED @ 50,000hrs
- Power Source : Dimming LED Driver 0-10V
- Operating temperature : - 25°C ~ +40°C
- IP Rating : IP65
- IK Rating : IK08

### DIMENSION (mm)



### PHOTOMETRIC CURVE



Model No.	Description	A(mm)	B(mm)	C(mm)	D(mm)
OL/B0730/S	OLIO Smart LED Wall Light 7W	175	305	113	76
OL/B1530/S	OLIO Smart LED Wall Light 15W	175	305	113	76

\*\* The above ordering code is base on CCT~3000K